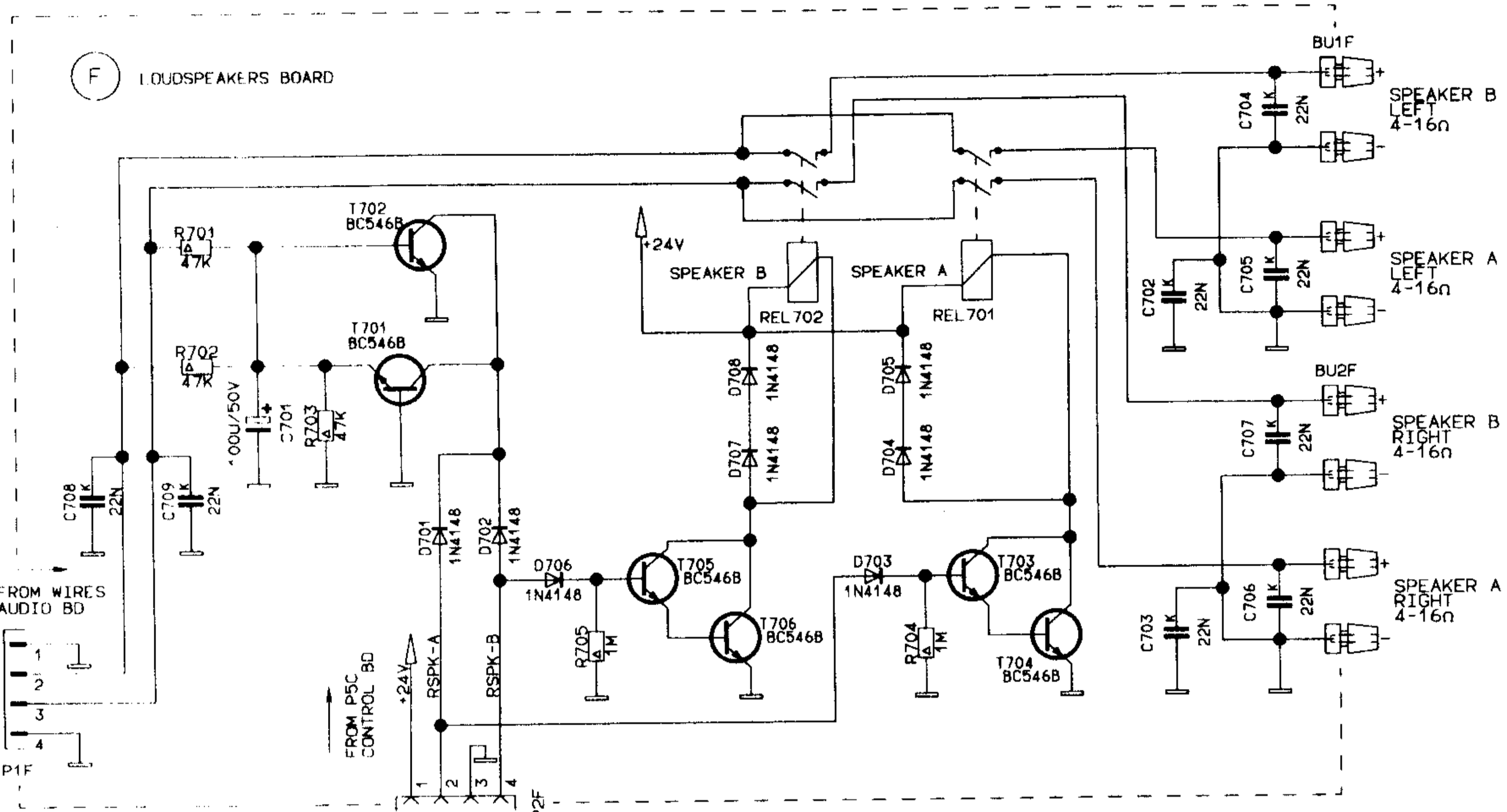


CIRCUIT DIAGRAM FA 761: HEADPHONE BOARD, MAINS SWITCH BOARD, LOUDSPEAKERS BOARD, TRAF0 BOARD, AC-OUTLET / RC BUS BOARD

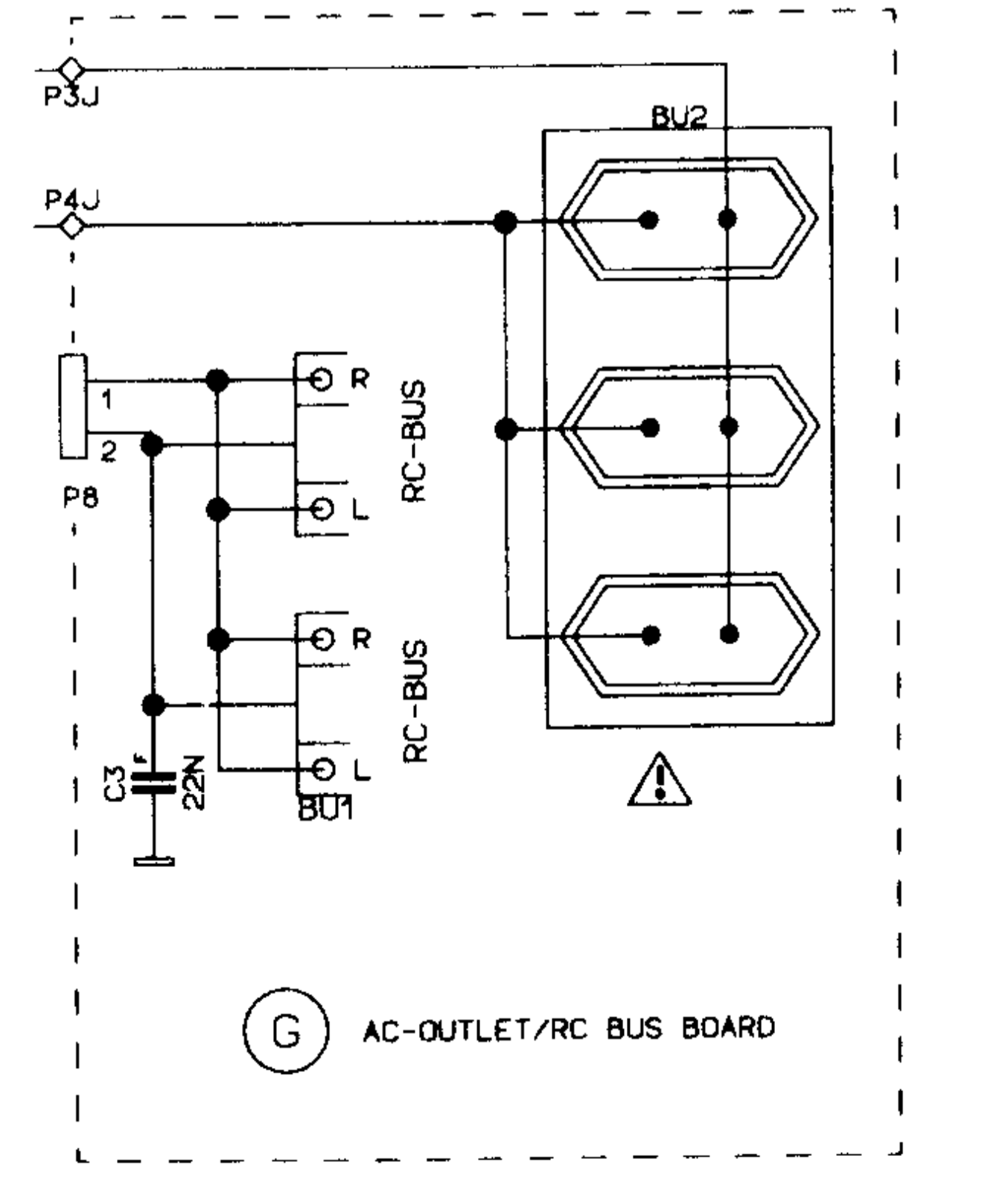
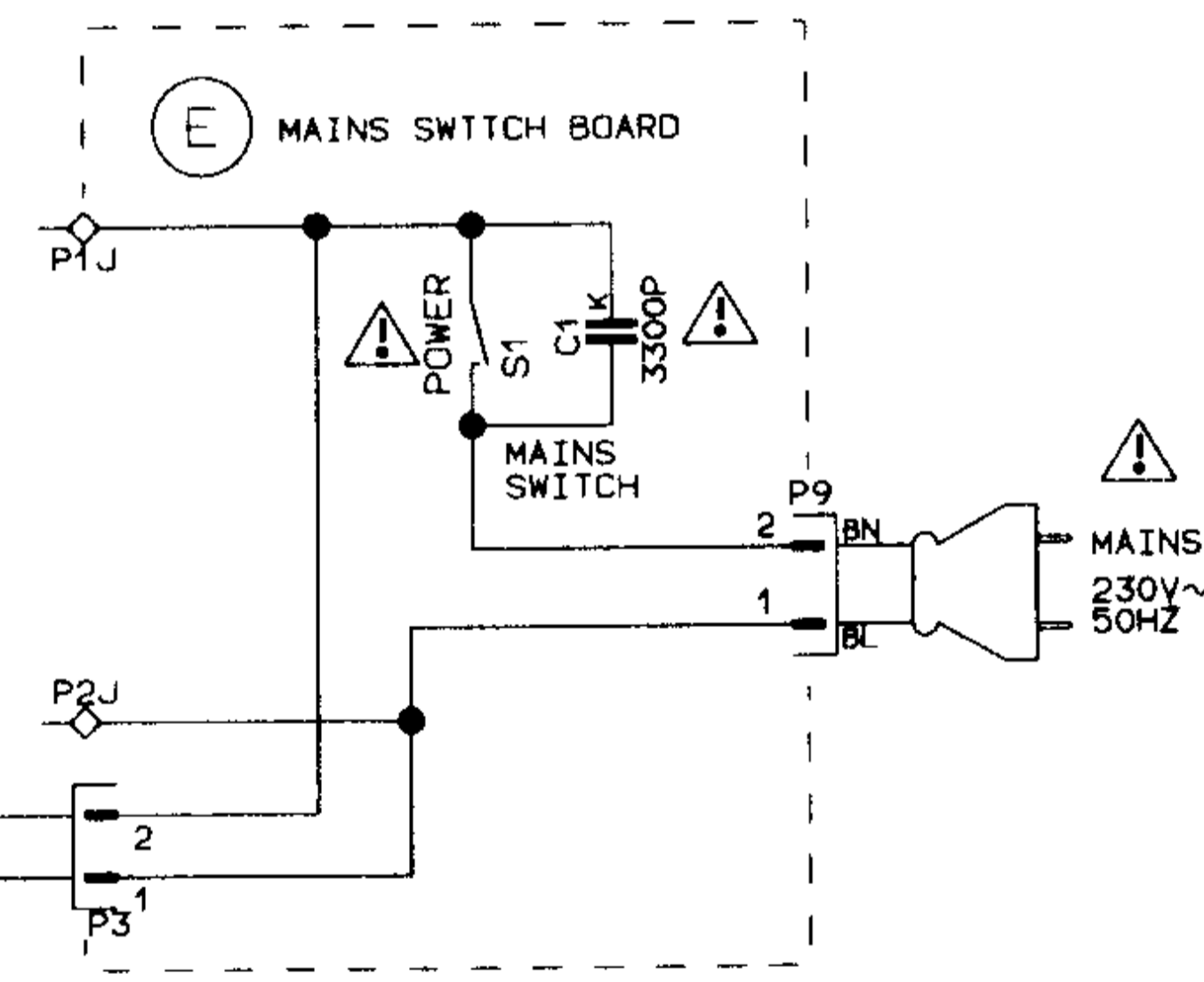
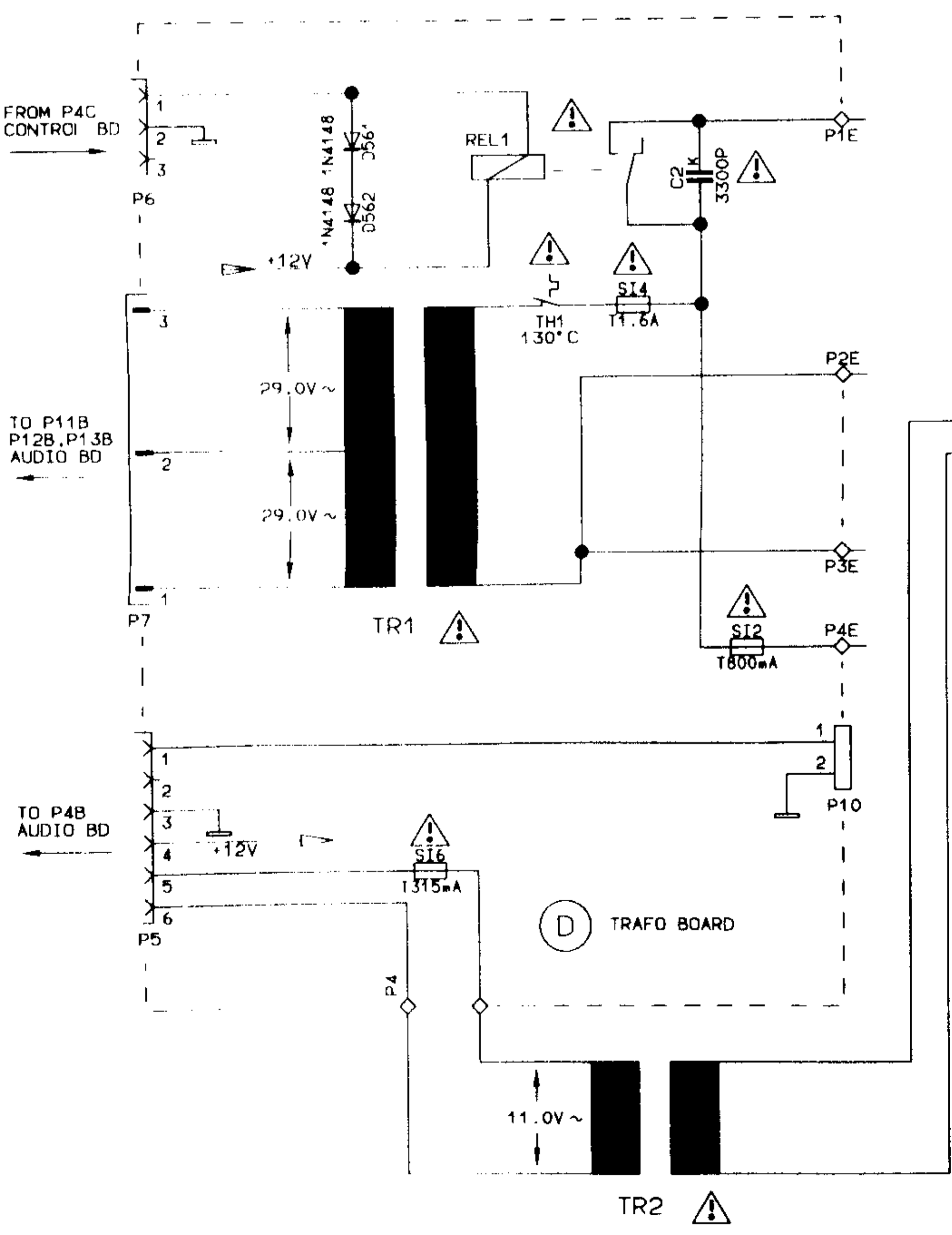
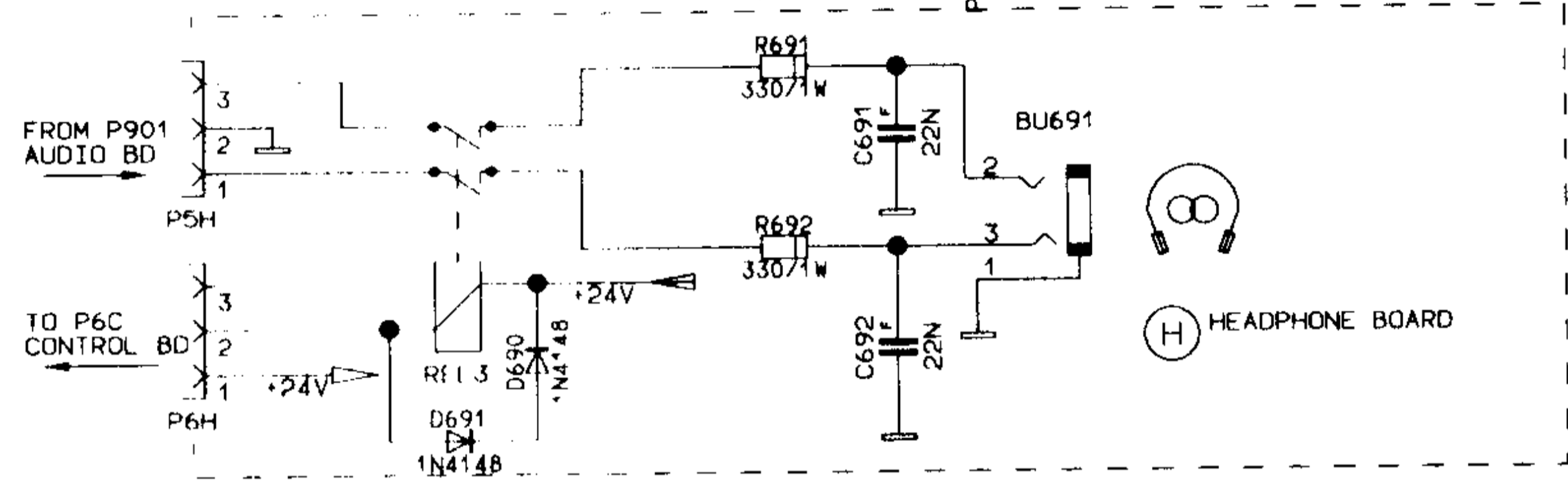


- SUBJECT TO**
- RESISTOR**
- CR16/0.2W (KSW 0204 DIN)
 - CR37/0.5W (KSW 0411 DIN)
 - SFR16T/0.33W (MSW 0204 DIN)
 - CR25/0.33W (KSW 0207 DIN)
 - CR52/0.67W (KSW 0617 DIN)
 - SFR25H/0.6W (MSW 0207 DIN)
 - METAL OXIDE
 - LOW FLAMMABILITY
 - SAFETY RESISTOR

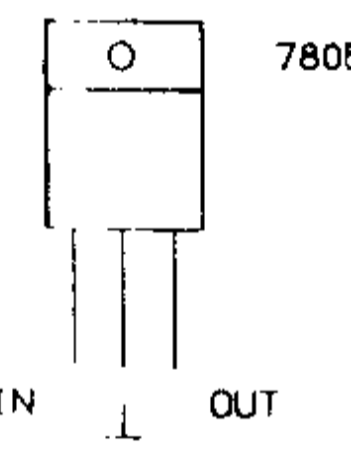
ATTENTION! OBSERVE MOS COMPONENTS HANDLING INSTRUCTIONS WHEN SERVICING!

ABSOLUTELY NECESSARY FOR THE SAFETY OF THE USER, MEET THE SAFETY REQUIREMENTS AND MUST BE REPLACED BY PARTS OF THE SAME TYPE.

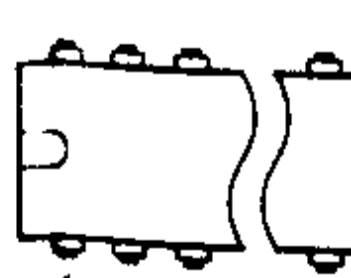
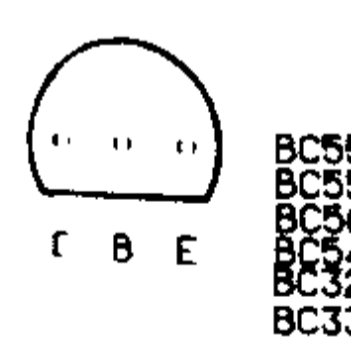
IF NOT OTHERWISE INDICATED ALL COMPONENTS ARE TO BE MOUNTED AGAINST CHASSIS WITH A VOLTMETER.



FRONT VIEW

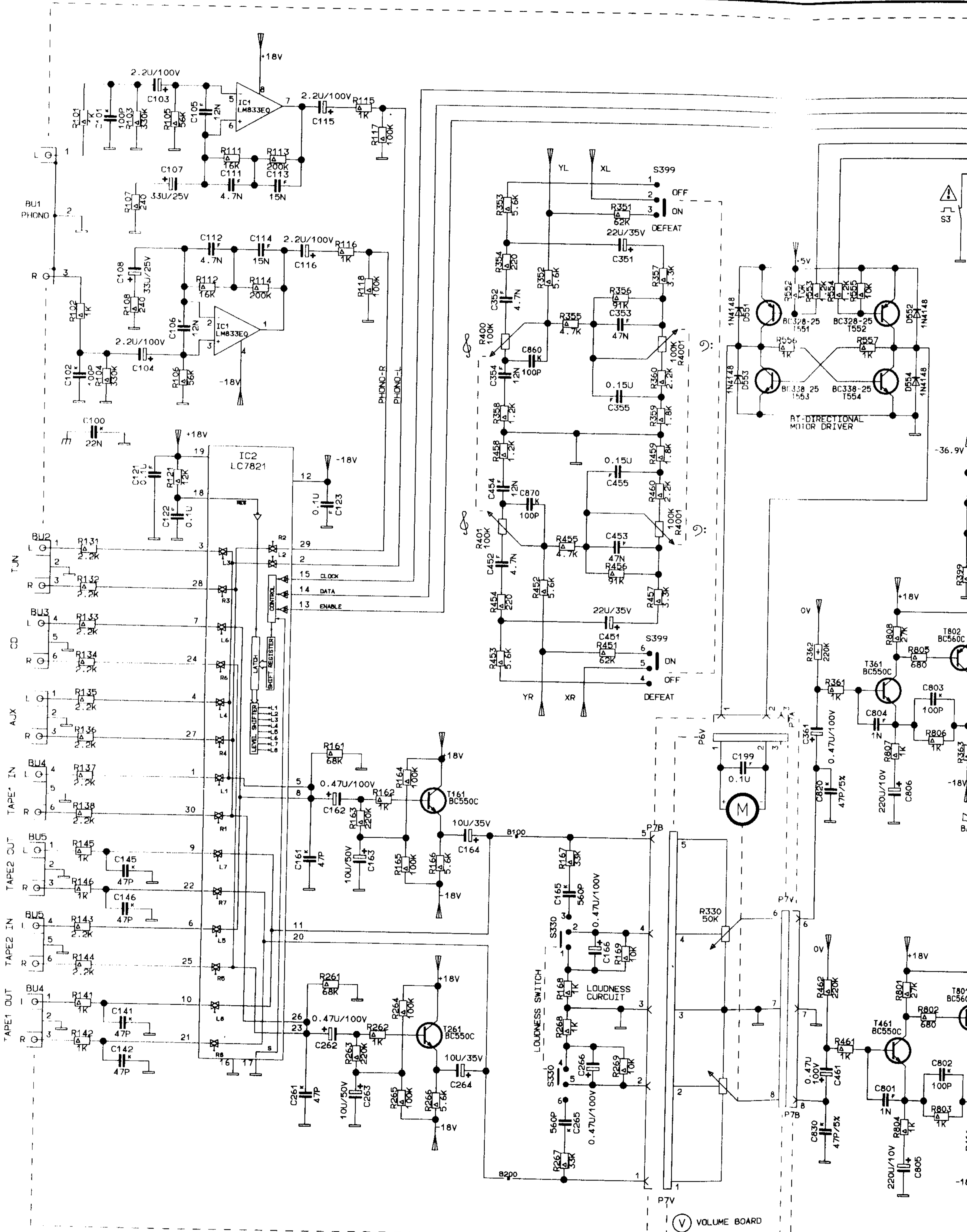


TOP VIEW

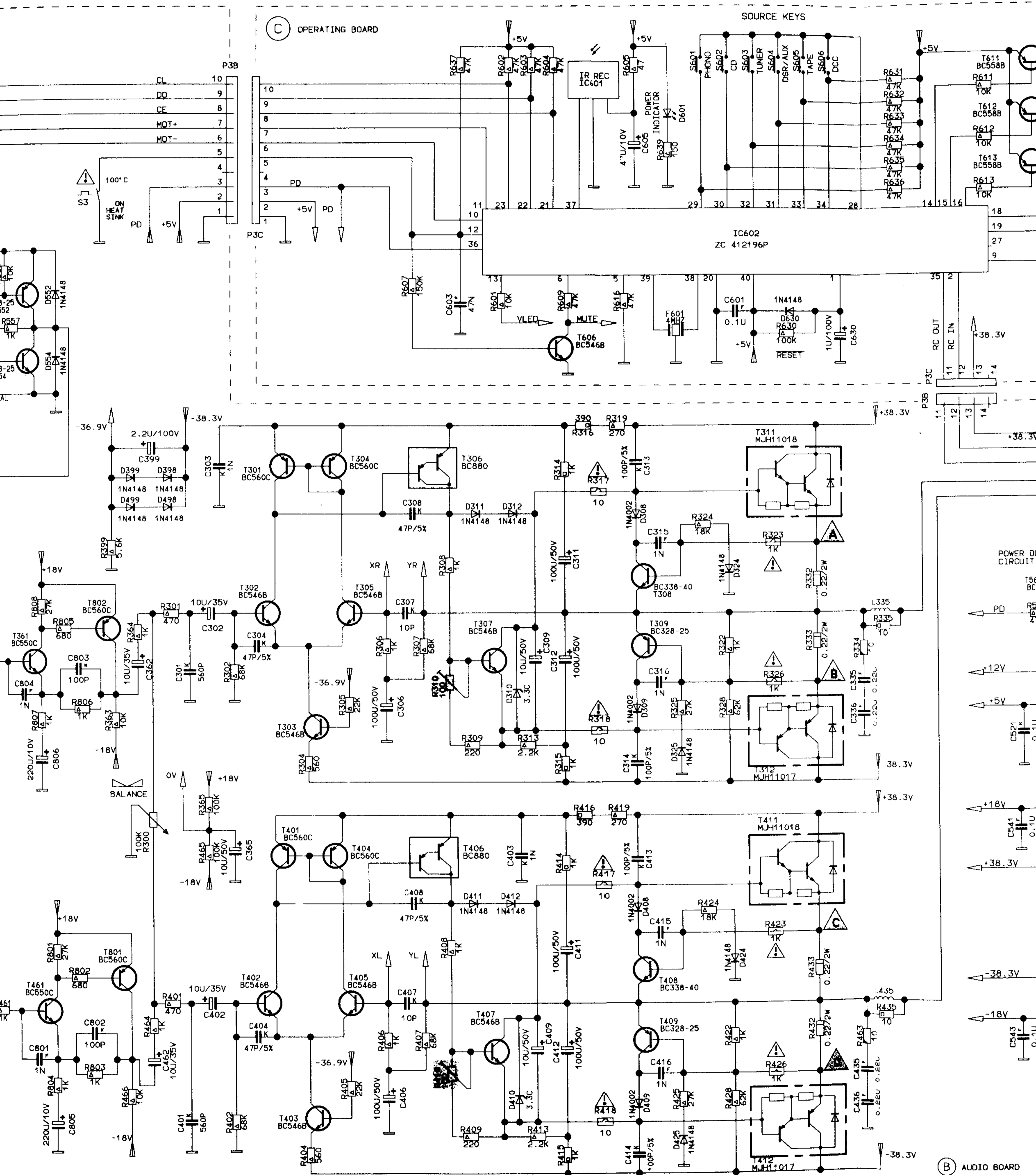


LC7821
7C 412196P
LM833

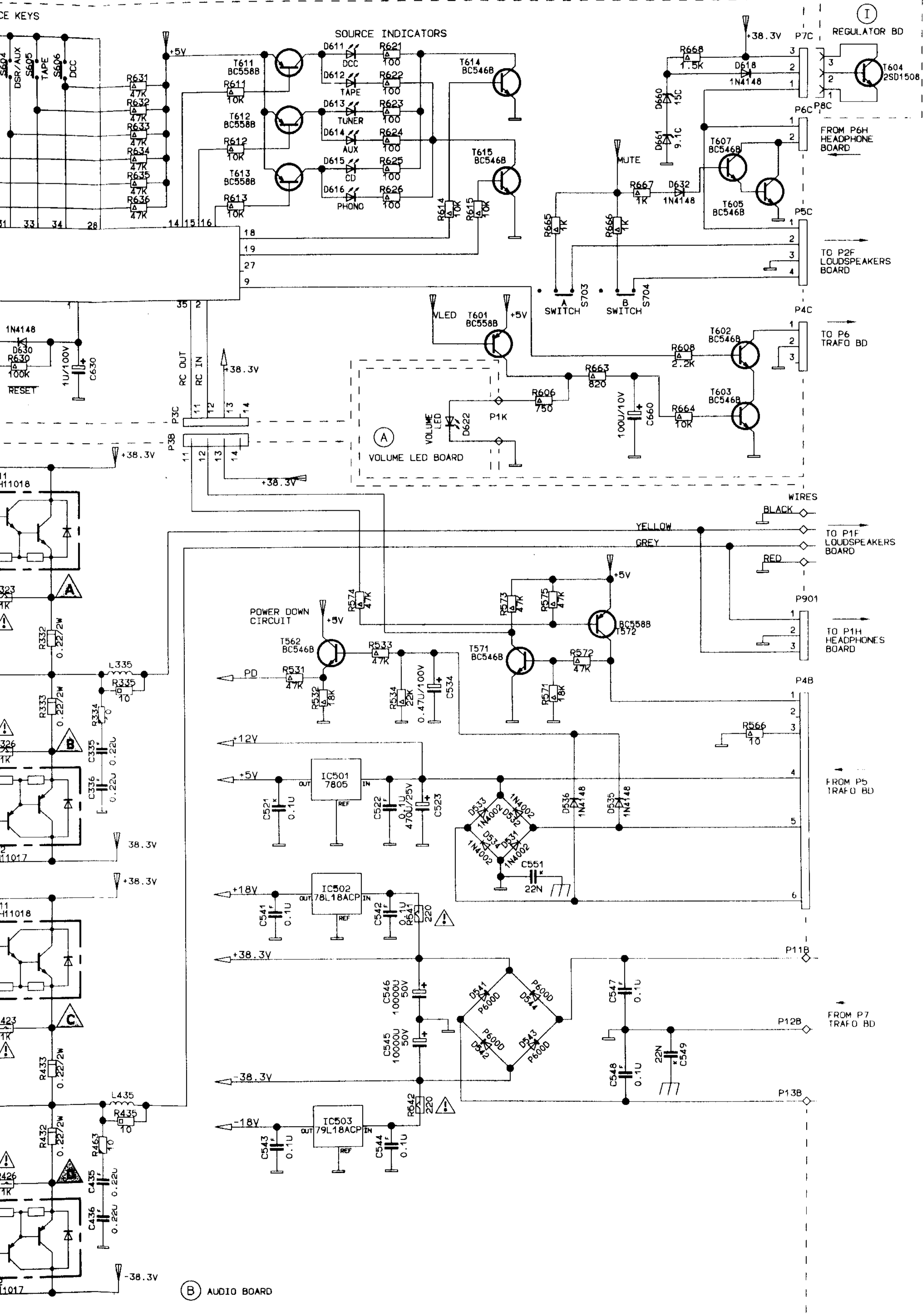
CIRCUIT DIAGRAM FA 761: AUDIO BOARD, OPERATING BOARD, VOLUME BOARD, VOLUME LED BOARD, R



BOARD, REGULATOR BOARD



(B) AUDIO BOARD



(B) AUDIO BOARD